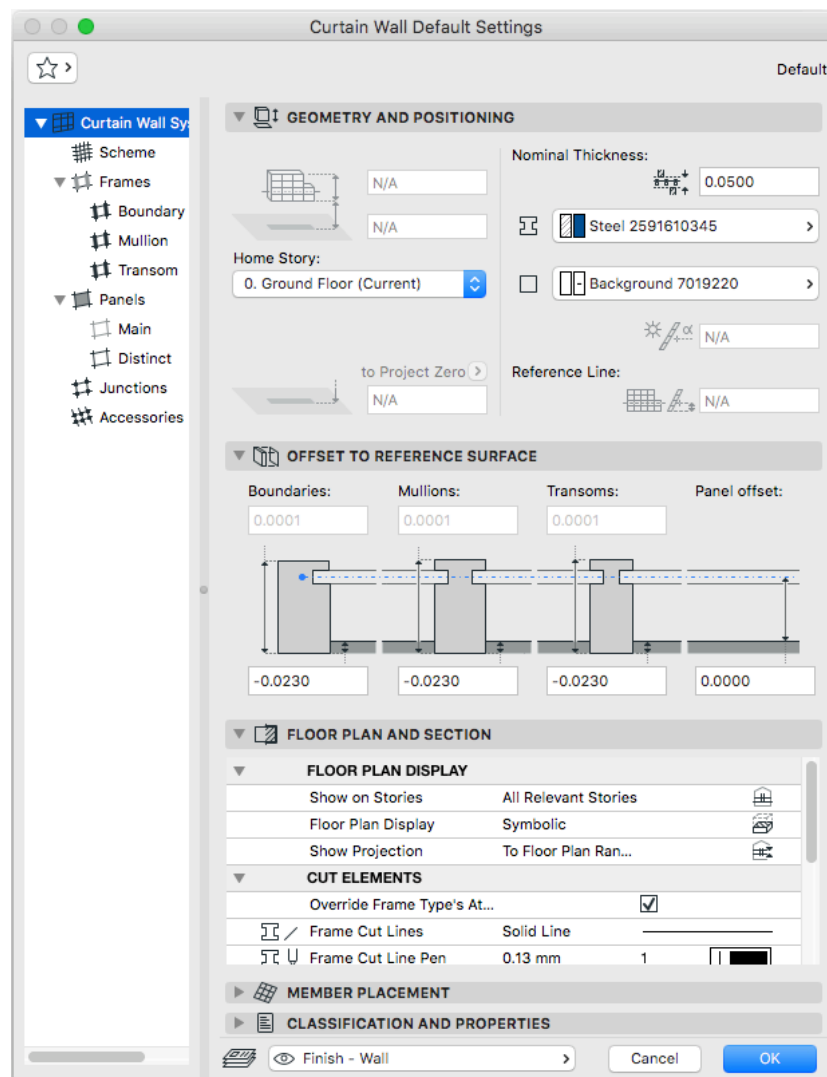


Qbiss Screen instructions EN

TRIMO D.D.

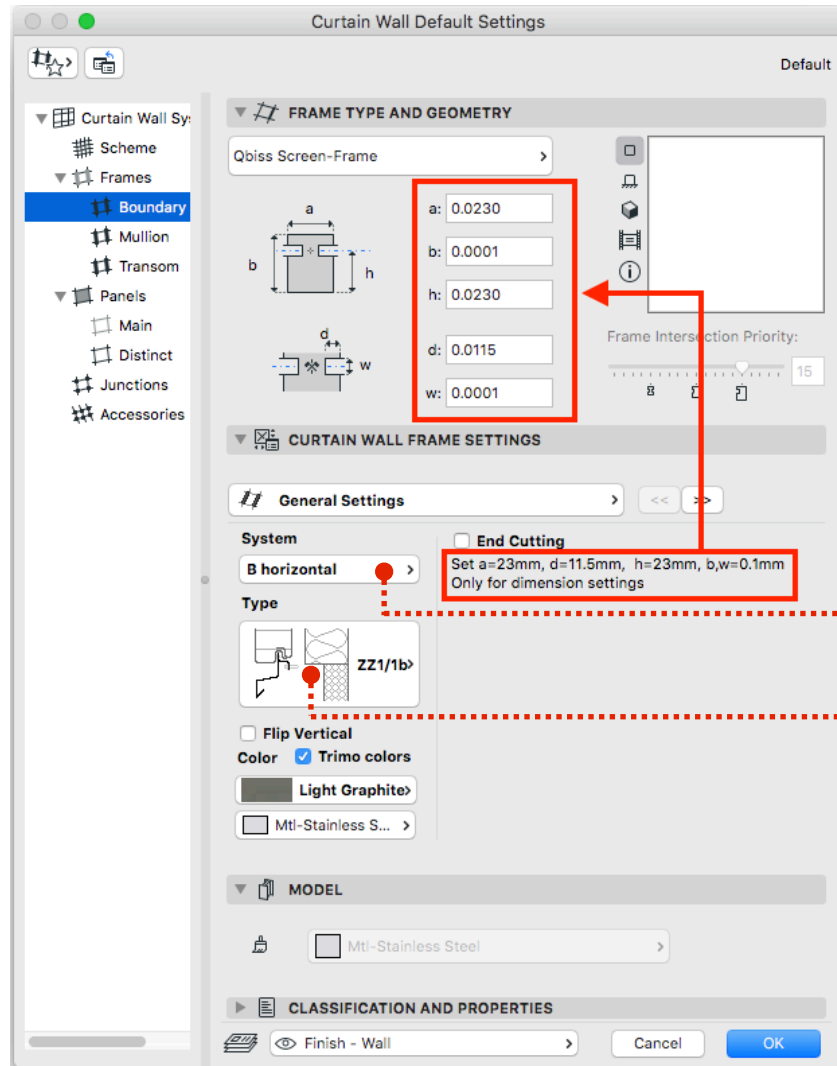
PRIJATELJEVA CESTA 12
8210 TREBNJE | SLOVENIA
T: +386 (0)7 34 60 200
F: +386 (0)7 34 60 127
TRIMO@TRIMO.SI
WWW.TRIMO.EU

For using Qbiss Screen BIM tool we suggest using “Favorites” as everything already has default mandatory settings that otherwise you have to put manually.



Curtain Wall System Settings

Frames Settings | Boundary

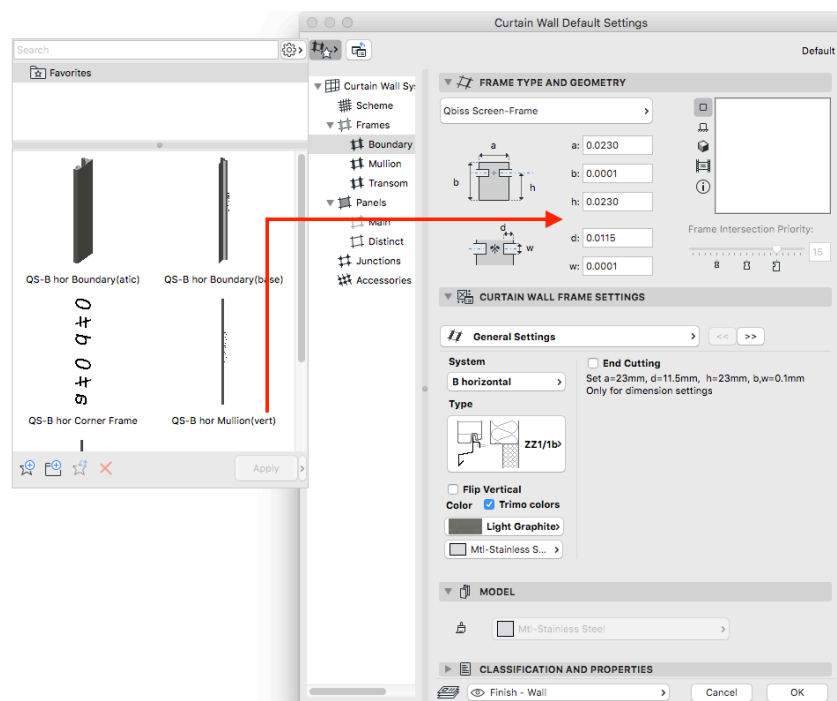


In the settings that are marked with red rectangular you should enter the specific measurements that are written below, so everything works accordingly.

You can select different profiles (Systems).

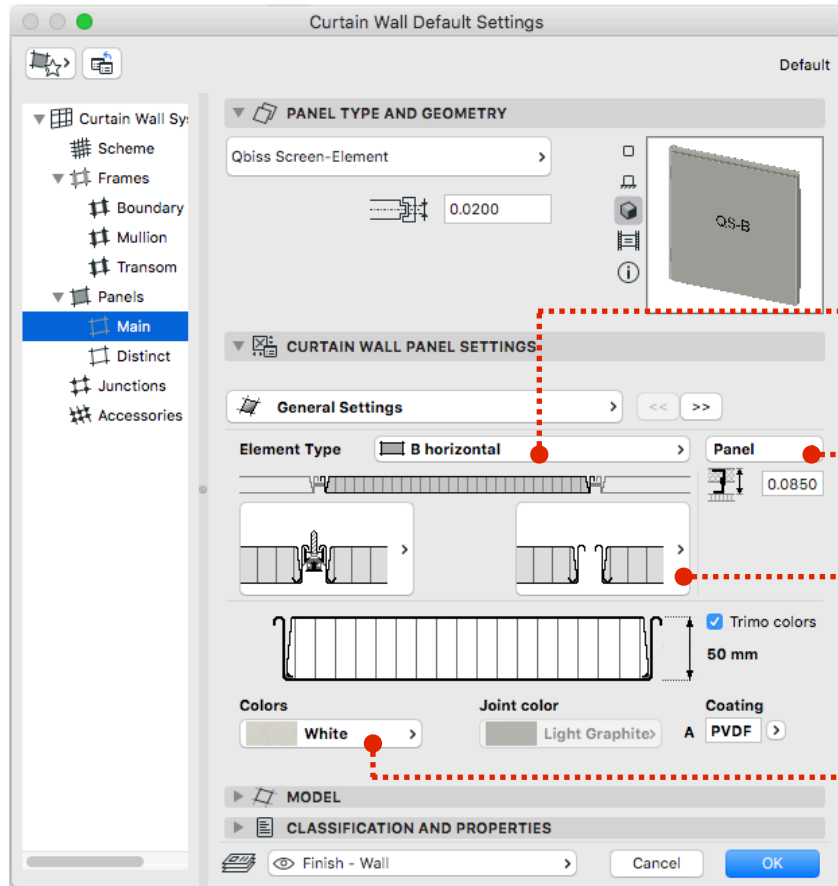
You can select different types of profiles depending on their position.

Frames Settings | Favorites



We suggest using Frames from Favorites, as they already have all the measurements correctly written.

Panels Settings | Main | General

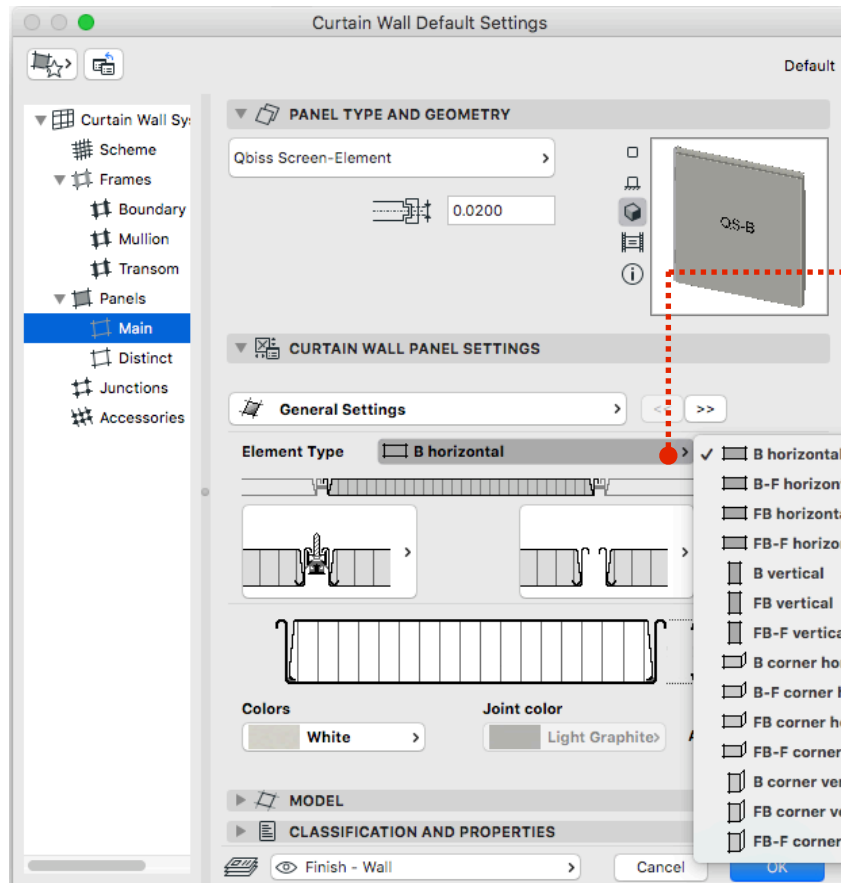


Type of element profile (System).

Your element can be a panel or a window.

Type of connection to the other elements

Outside color

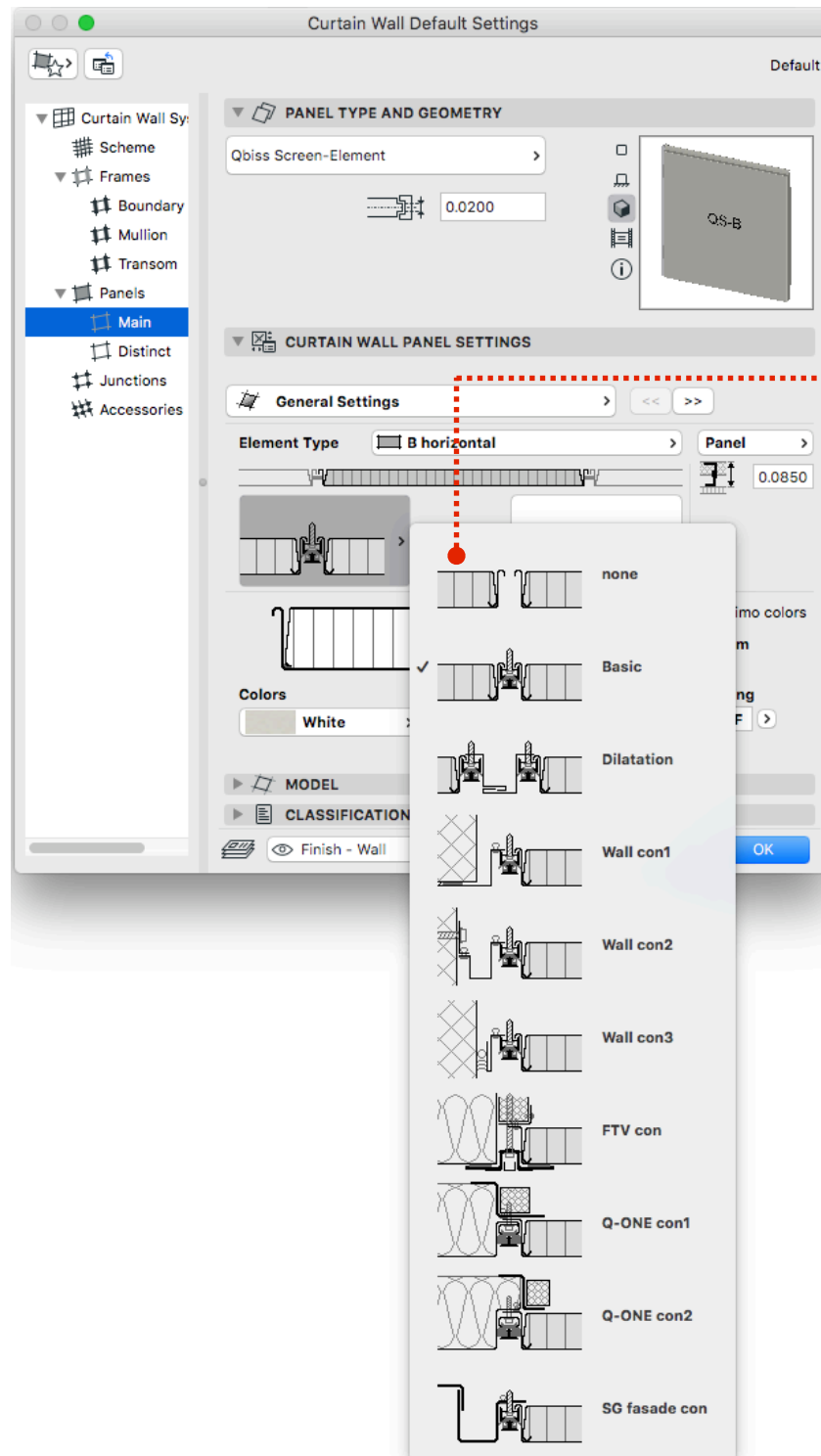


You can select different types of elements. Depending on the position of your Qbiss Screen system.

TRIMO D.D.

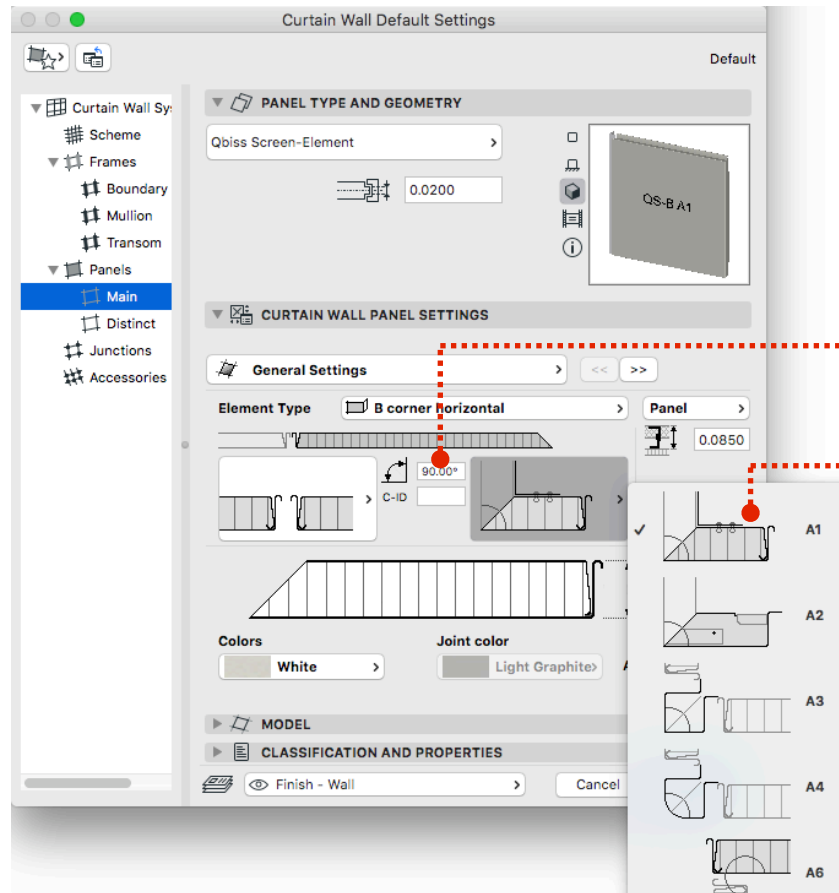
PRIJATELJEVA CESTA 12
8210 TREBNJE | SLOVENIA
T: +386 (0)7 34 60 200
F: +386 (0)7 34 60 127
TRIMO@TRIMO.SI
WWW.TRIMO.EU

Panels Settings | Main | General



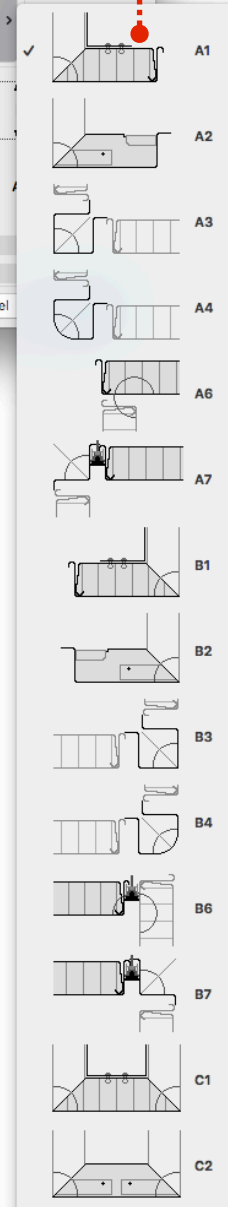
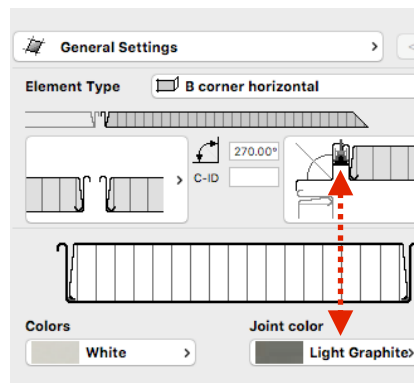
TRIMO D.D.

PRIJATELJEVA CESTA 12
8210 TREBNJE | SLOVENIA
T: +386 (0)7 34 60 200
F: +386 (0)7 34 60 127
TRIMO@TRIMO.SI
WWW.TRIMO.EU



Corner angle

If you choose a corner element, with A (1-7) you are choosing corner type on the left side and with B (1-7) you are choosing corner type on the right side of the element.

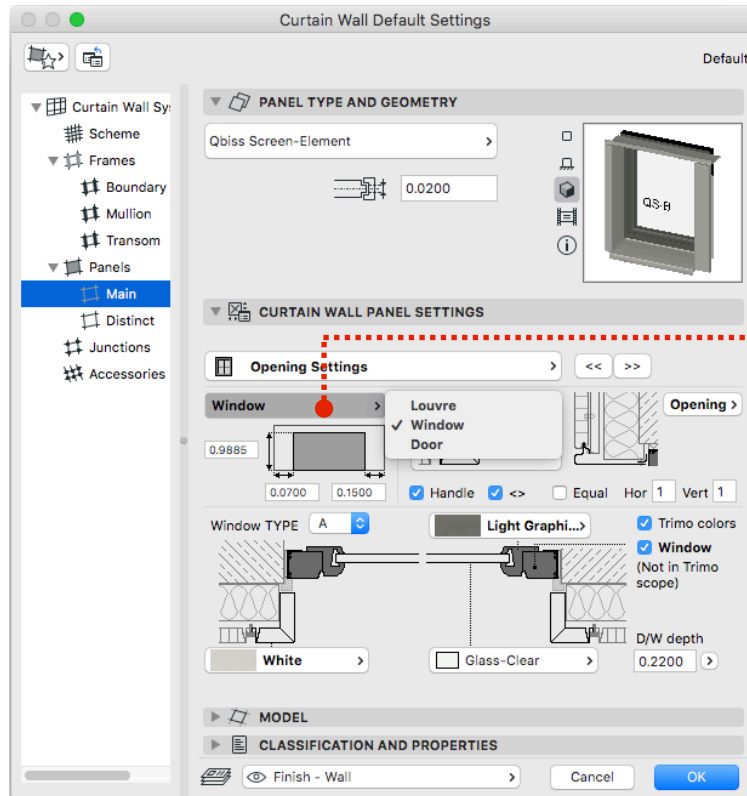


TRIMO

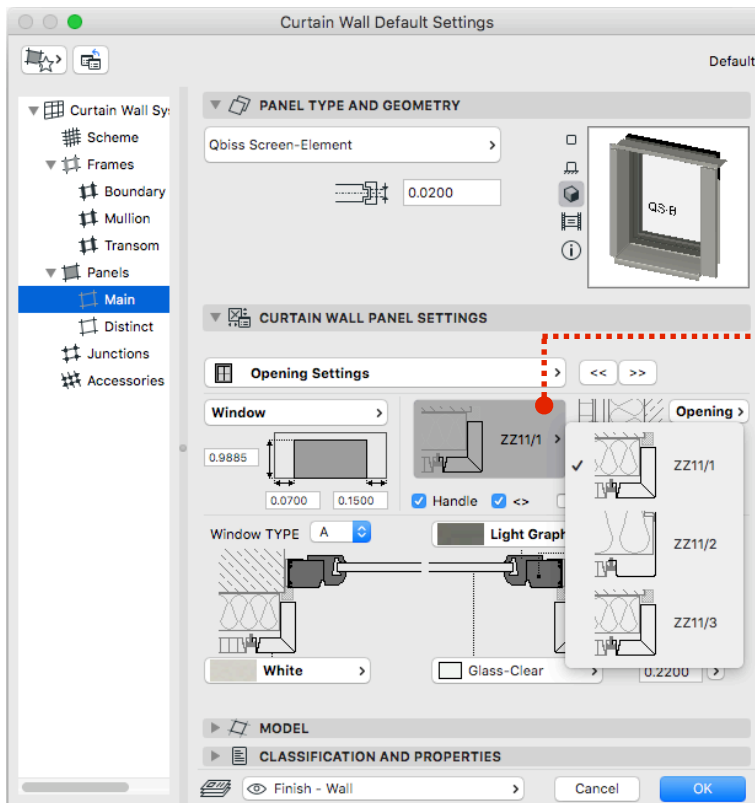
TRIMO D.D.

PRIJATELJEVA CESTA 12
8210 TREBNJE | SLOVENIA
T: +386 (0)7 34 60 200
F: +386 (0)7 34 60 127
TRIMO@TRIMO.SI
WWW.TRIMO.EU

Panels Settings | Main | Opening Settings

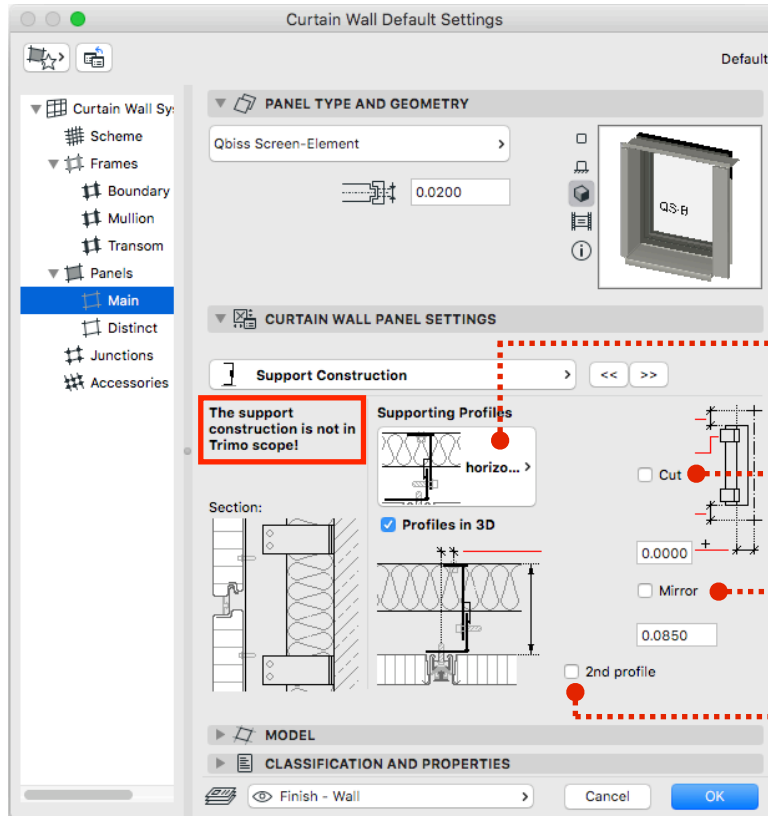


If you choose an element with the opening, different opening options can be selected.



If you choose an element with the opening, you can choose different profiles of the opening.

Panels Settings | Main | Support Construction



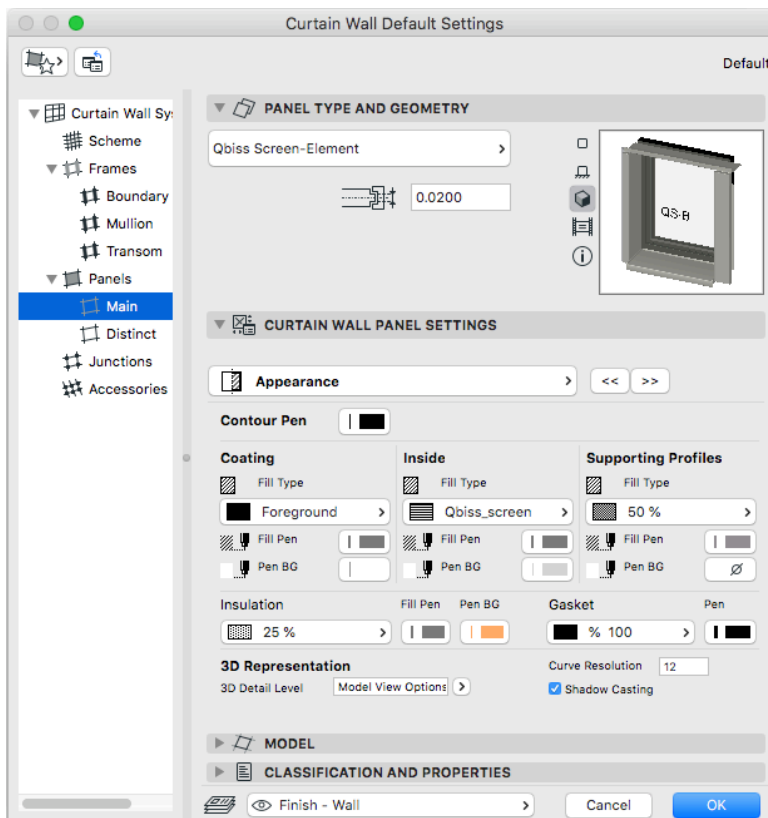
Depending on what system of elements you have chosen you get an option to select a horizontal or vertical support construction. You also have an option not having the support construction.

Open edit options.

Mirror the supporting construction.

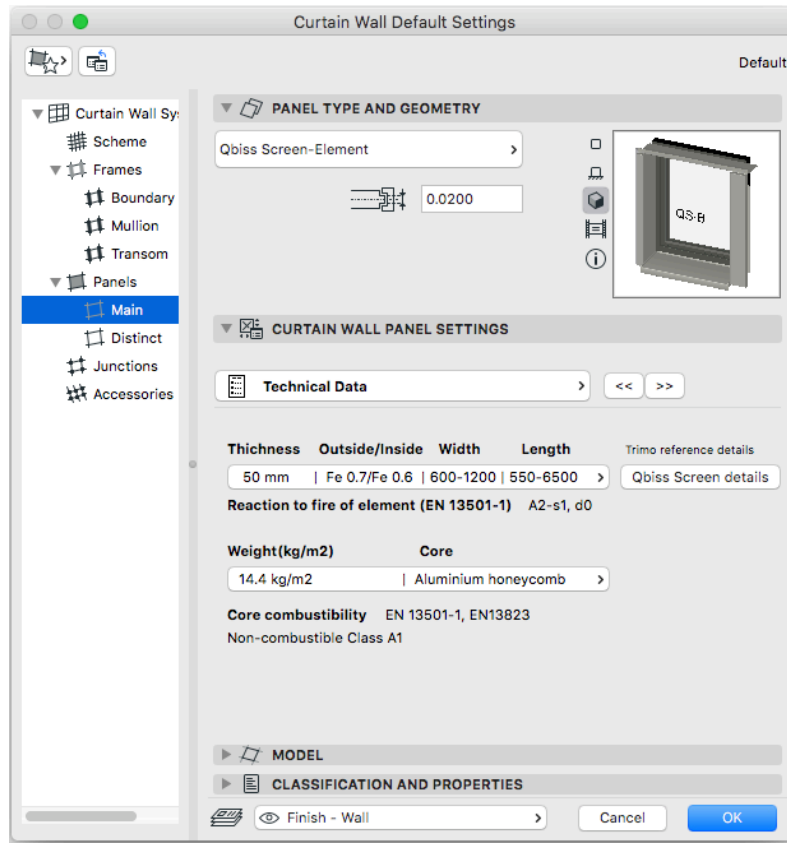
Mirror the supporting construction.

Panels Settings | Main | Appearance



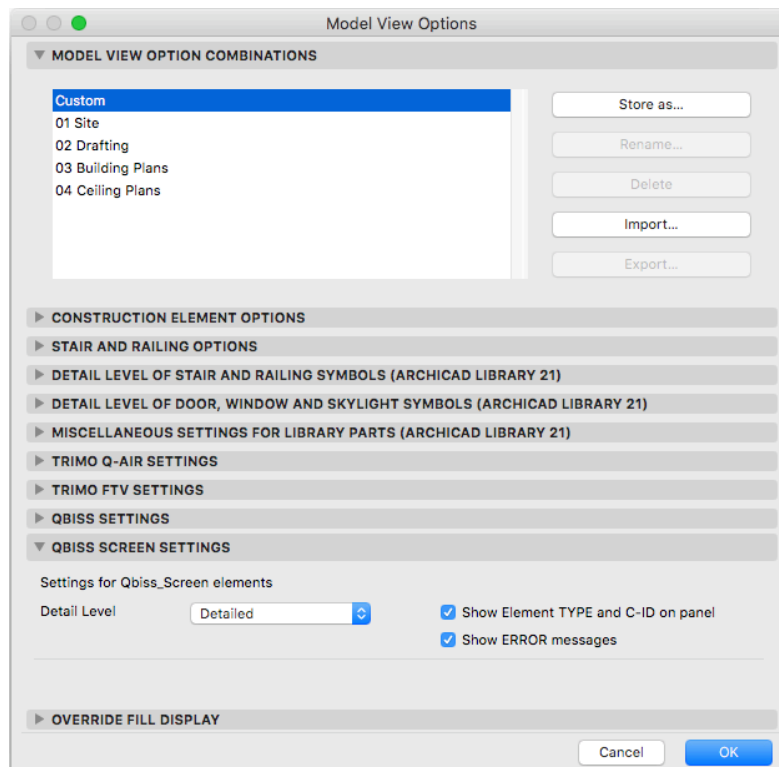
You can change the material appearance in 2D.

Panels Settings | Main | Technical Data



Different physical properties of the chosen field on the element.

Model view options



In Model view options we can control the appearance of the model in 3D.

TRIMO D.D.

PRIJATELJEVA CESTA 12
8210 TREBNJE | SLOVENIA

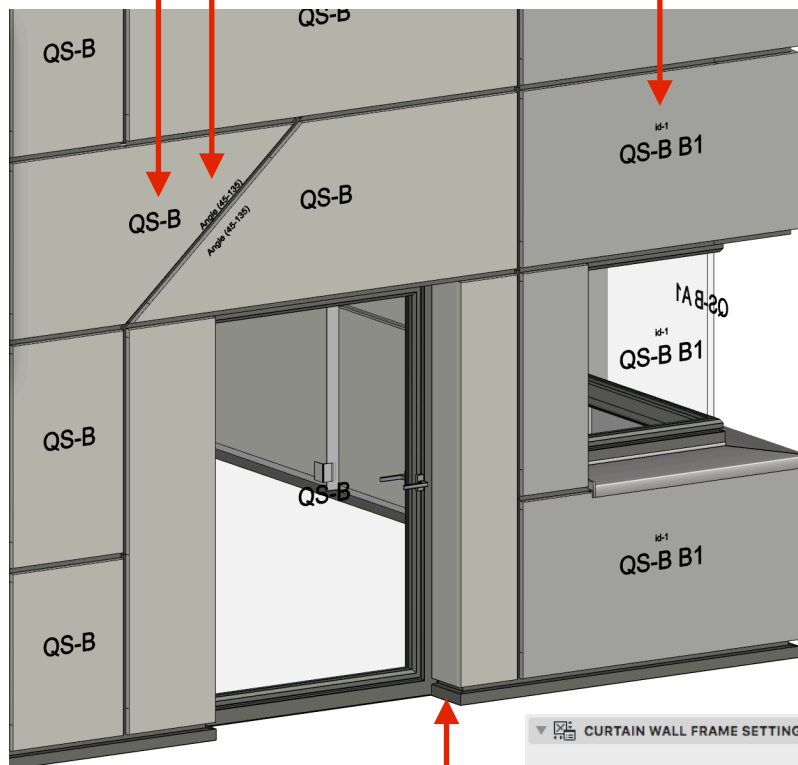
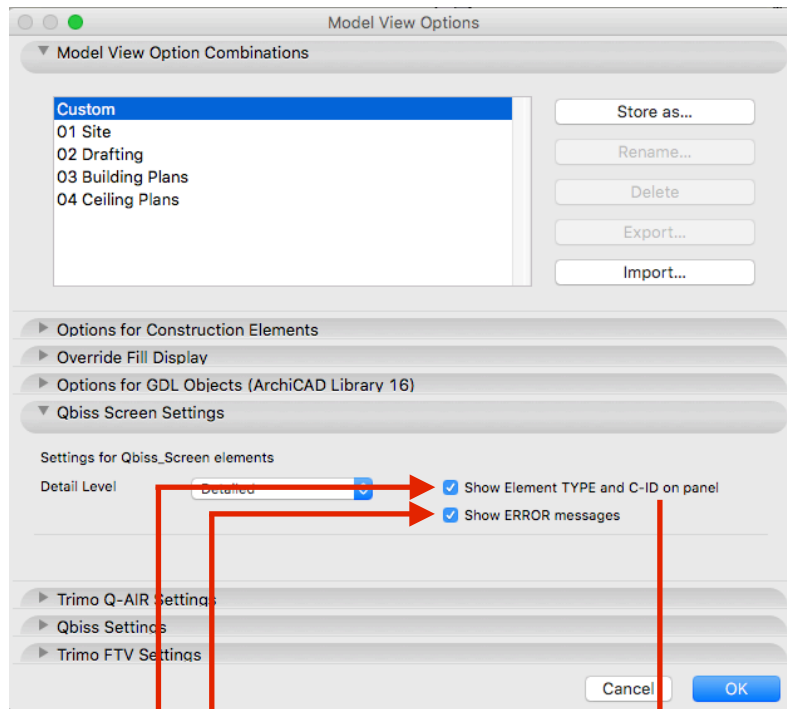
T: +386 (0)7 34 60 200

F: +386 (0)7 34 60 127

TRIMO@TRIMO.SI

WWW.TRIMO.EU

3D model



If we exceed the limitations of the system the error messages appear in 3D view.

Wall closure for doors

